

Your RFID Transponder Solution Provider

Securitag Assembly Group Co., Ltd.

+886-4-2492-5298

www.SAG.com.tw

info@sag.com.tw



NFC Certification



RAIN Alliance



14001/9001/16949



Sony Green Partner

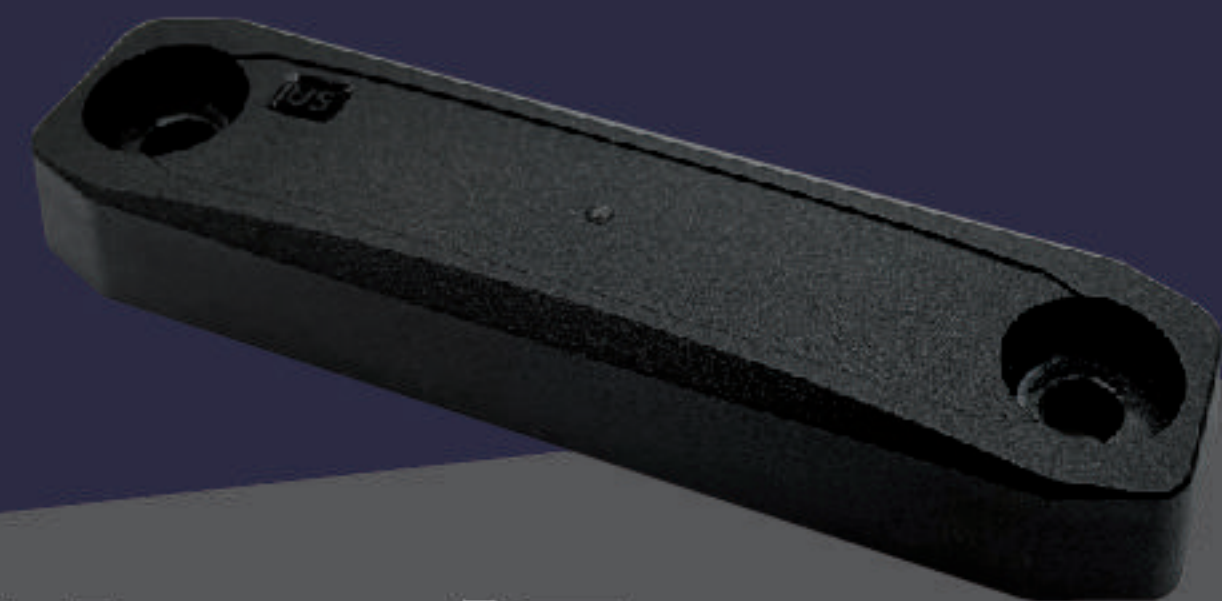


UHF Transponder Selections





SAG has played an active role at RAIN RFID Alliance by joining conferences and webinars to remain current with the market needs and applications where UHF technology is of great use. With years of experience and accumulation of knowledge, we have created transponders in various form factors which successfully go to projects and use cases worldwide. Within these pages, you will find a product -featuring long reading performance, dense metal reading, higher security or hands-free as the solution to your application.



▶ FEATURES

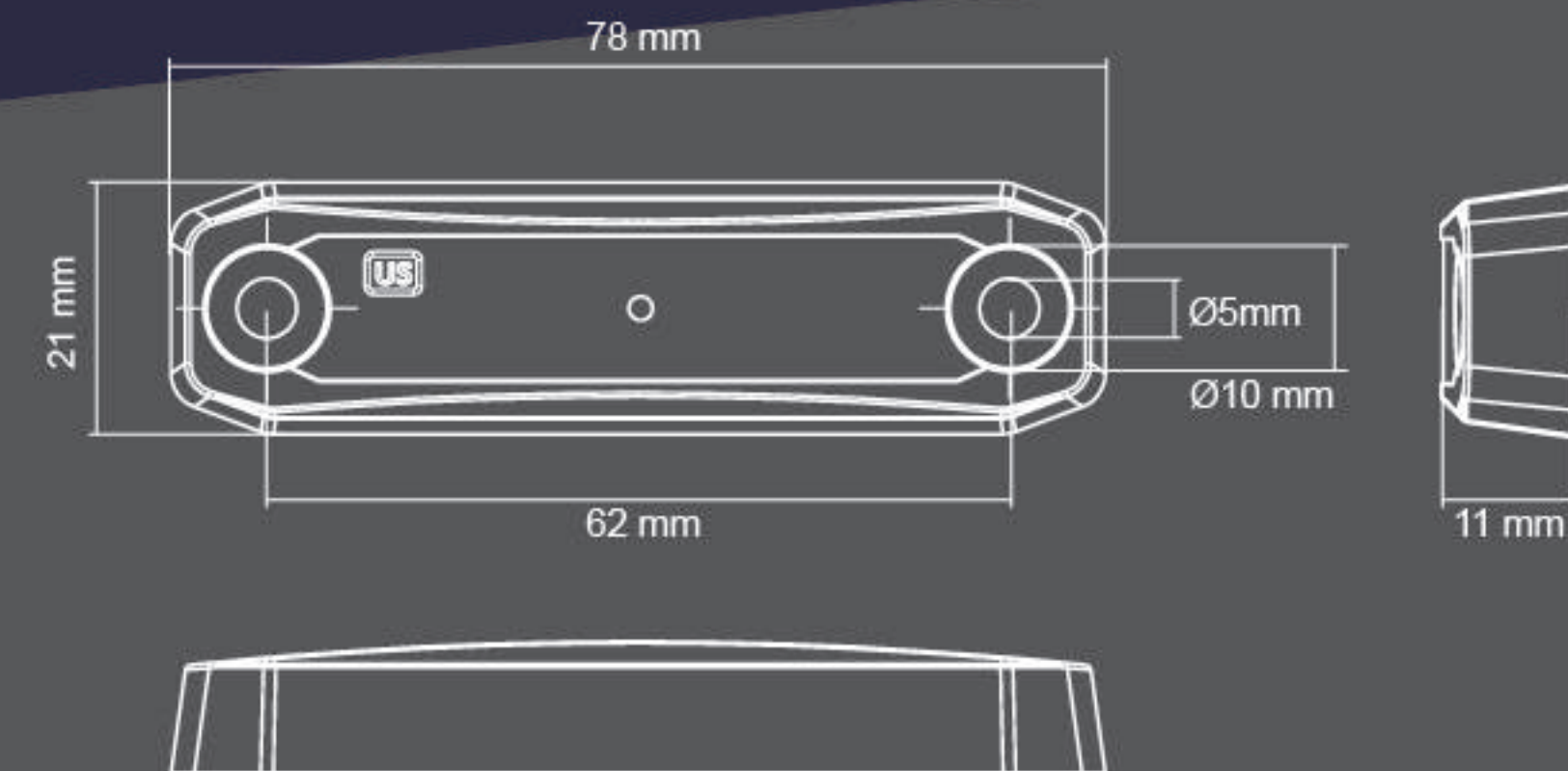
- Narrow tag housing for versatile tagging structure
- Superior reading performance

▶ APPLICATIONS

- RTI Management
- Asset Tracking
- Inventory Management

▶ PHYSICAL SPECIFICATION

Dimensions : L 78 x W 21 x T 11 mm
 Operation Temperature : -40 to 85°C
 Storage Temperature : -40 to 120°C
 IP Rating: IP68
 Color : Black
 Material : Nylon
 Attachment : Adhesive / M5 type screw



MetalEvo

A Masterpiece of Engineering Offers High-Performance to Meet Your Industrial tagging Versatility

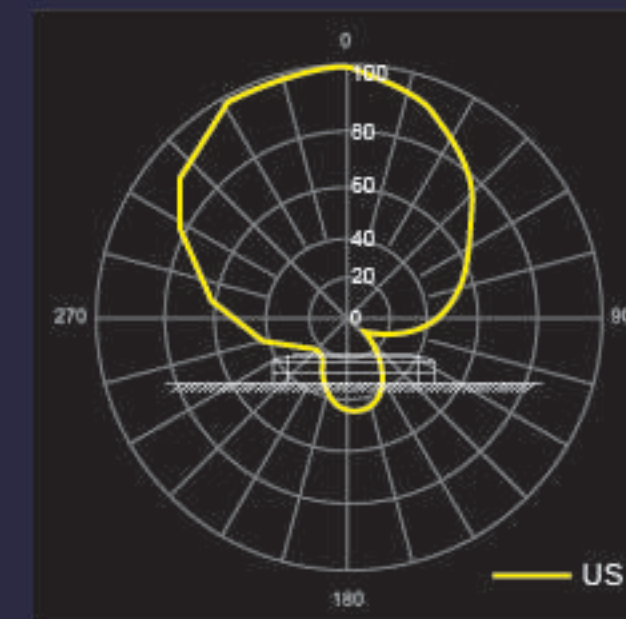
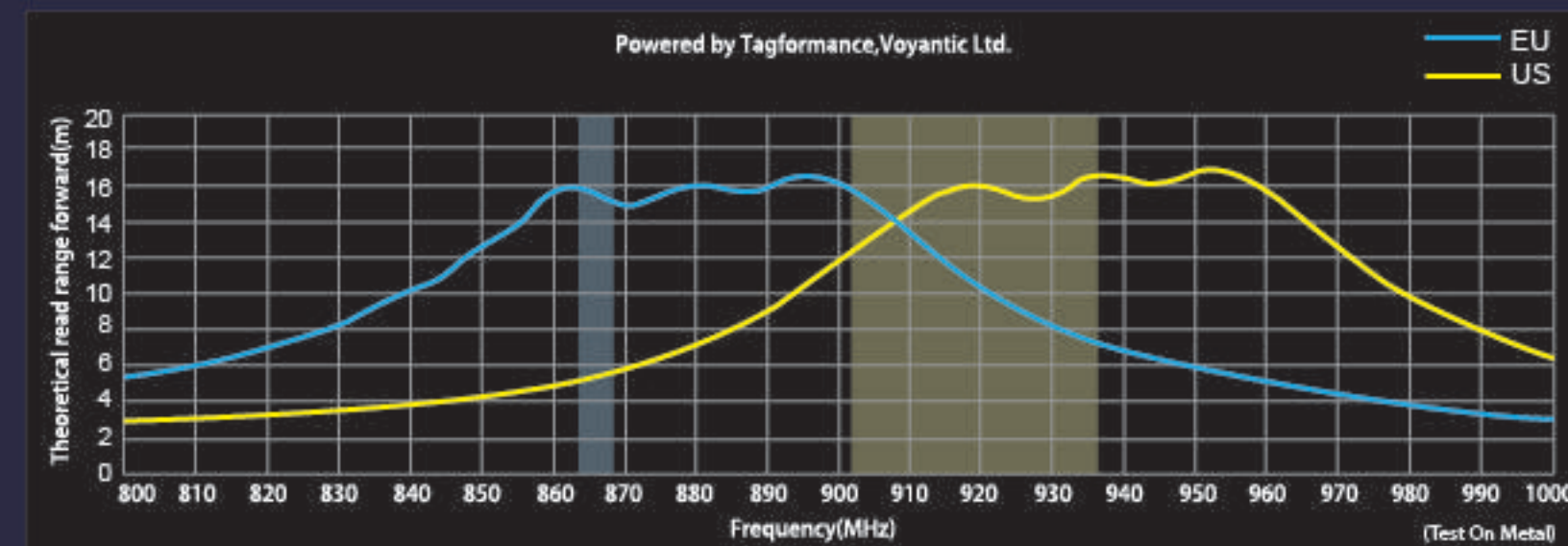
MetalEvo features its slim shape appearance suited for narrow structure attachment. With multiple methods of fixation and durable housing, it serves well on metal surface with proven performance and has great resistibility to outdoor environmental impact. Equipped with NXP UCODE 8, MetalEvo boosts a superior reading distance, making it ideal for logistics and industrial asset management purposes.

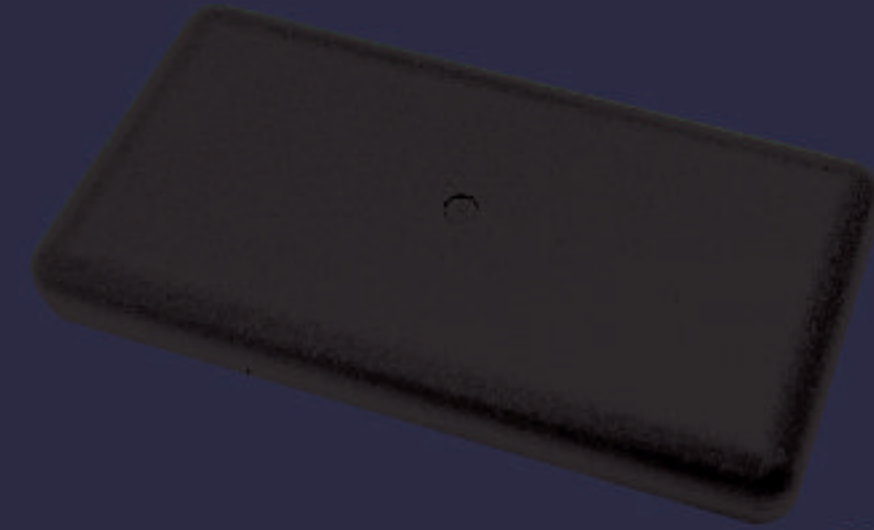


▶ RF SPECIFICATION

RFID Chip : NXP UCODE 8
 Memory : EPC up to 128 bit / TID 96 bit
 RF Interface Protocol: EPC Class1 Gen2 V2 / ISO 18000-6C
 Operating Frequency : 902-928 MHz (FCC-US)
 865-868 MHz (ETSI-EU)

Applicable Surface : On-metal
 Read Range(2W ERP/On metal) : Up to 16M





▶ FEATURES

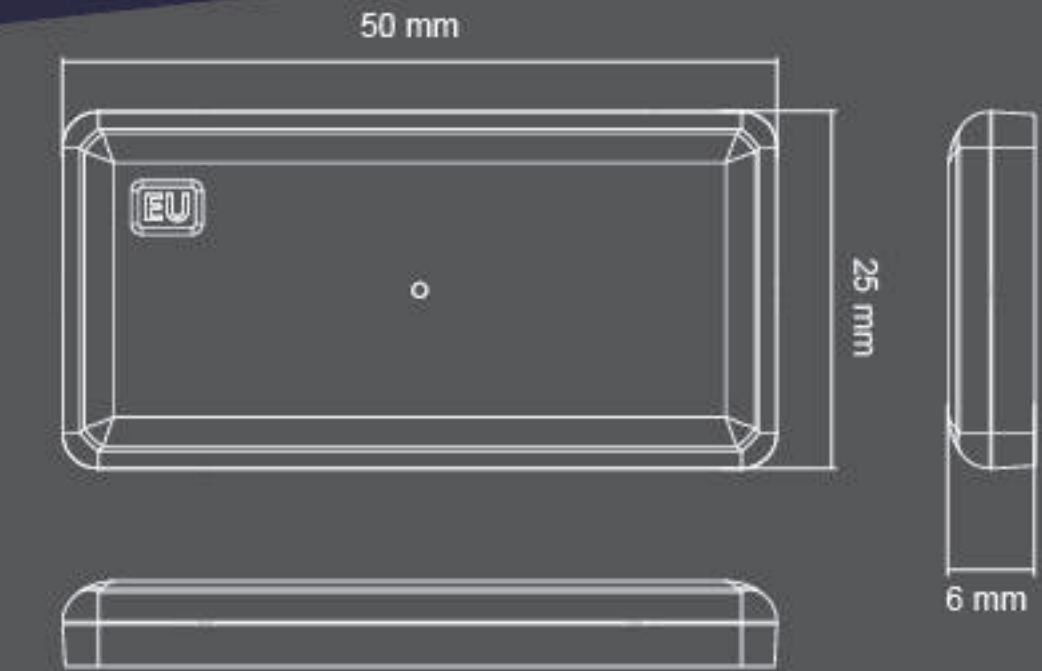
- Small size to fit small item
- Superior reading performance
- Dense metal reading

▶ APPLICATIONS

- Asset Management
- In-Process Control
- Item Tracking
- Maintenance Record

▶ PHYSICAL SPECIFICATION

Dimensions : L 50 x W 25 x T 6 mm
Operation Temperature : -40 to 85°C
Storage Temperature : -40 to 120°C
IP Rating: IP68
Color : Black
Material : Nylon
Attachment : Adhesive



OVERMOLDED BRICK MINI METAL TAG

Built to Realize Small-Item and High-Metal-Density Tagging Environment

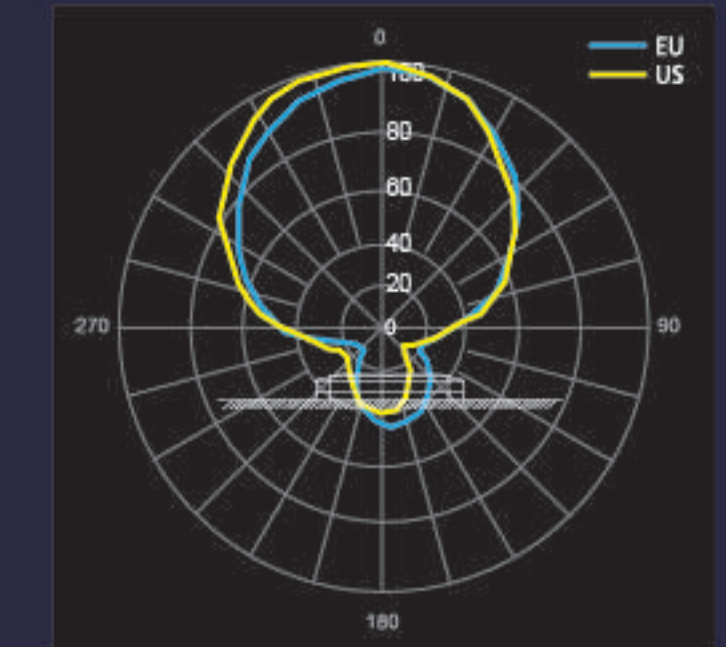
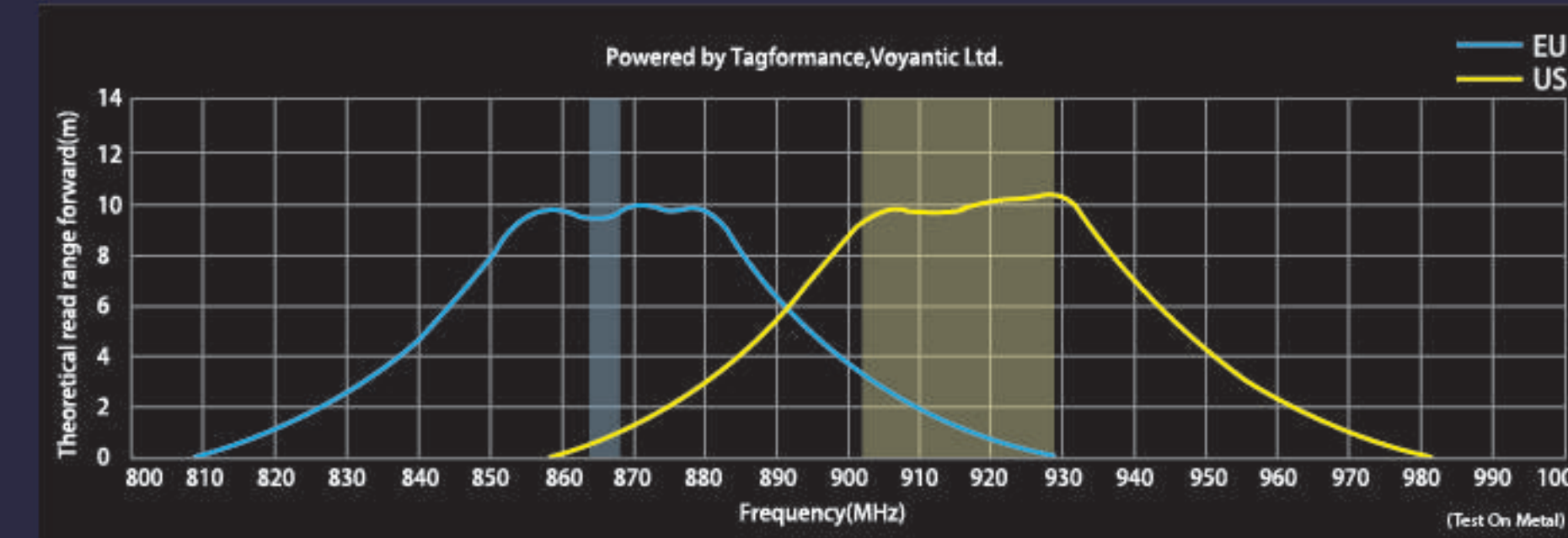
UHF Overmolded Brick Metal Tag (powered by NXP UCODE 8 technology) can fit into small space while providing superior reading performance when compared to other tag in terms of size. It helps realize applications where a traditional metal tag sees a challenge. Built with SAG unique antenna design, this tag can avoid the interference caused by a dense metal environment as well.

▶ RF SPECIFICATION

RFID Chip : NXP UCODE 8
Memory : EPC 128 bit / TID 96 bit
RF Interface Protocol: EPC Class1 Gen2 V2 / ISO 18000-6C
Operating Frequency : 902-928 MHz (FCC-US)
865-868 MHz (ETSI-EU)

Applicable Surface : On-metal

Read Range(2W ERP/On metal) : Up to 10M





OVERMOLDED BRICK METAL TAG-PPS

Crafted with strong environment impact resistance to conquer harsh conditions

This tag combines both our knowledge of UHF technology and material science by utilizing PPS to enhance its mechanical strength against challenging working conditions including high temperature, shock, and vibration. Besides, PPS features very high chemical resistance, making the tag survives the exposure to corrosive solution and autoclave process in sterilization. A perfect RFID tag product solution for heavy duty applications.

FEATURES

- Superior reading performance
- Robust housing
- Harsh environment resistant

APPLICATIONS

- Logistics
- Asset tracking
- Industrial

CHEMICAL RESISTANCE

- HNO3 40% 168 hours
- NaOH 10% 168 hours
- Organic Solvent 168 hours
- Motor Oil 168 hours

(*Refer to ASTM D543)

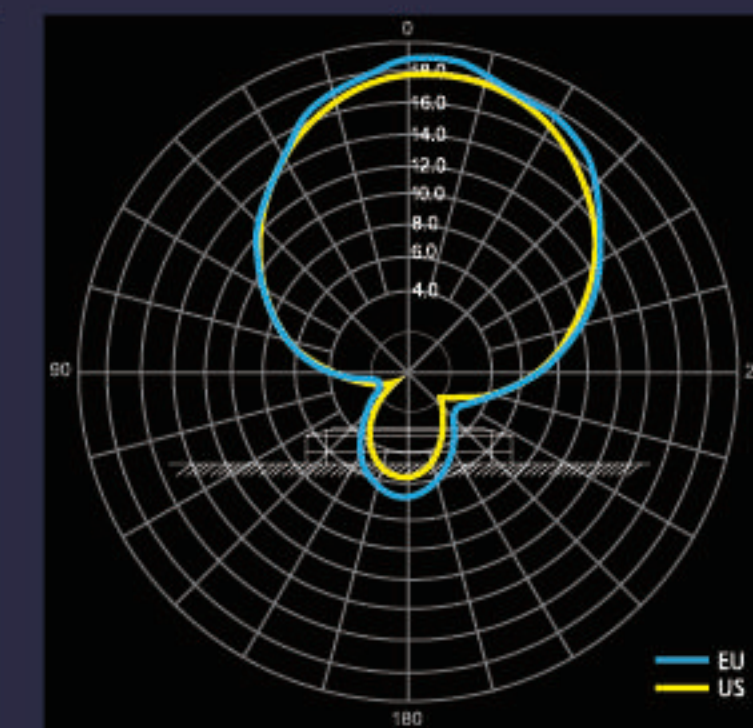
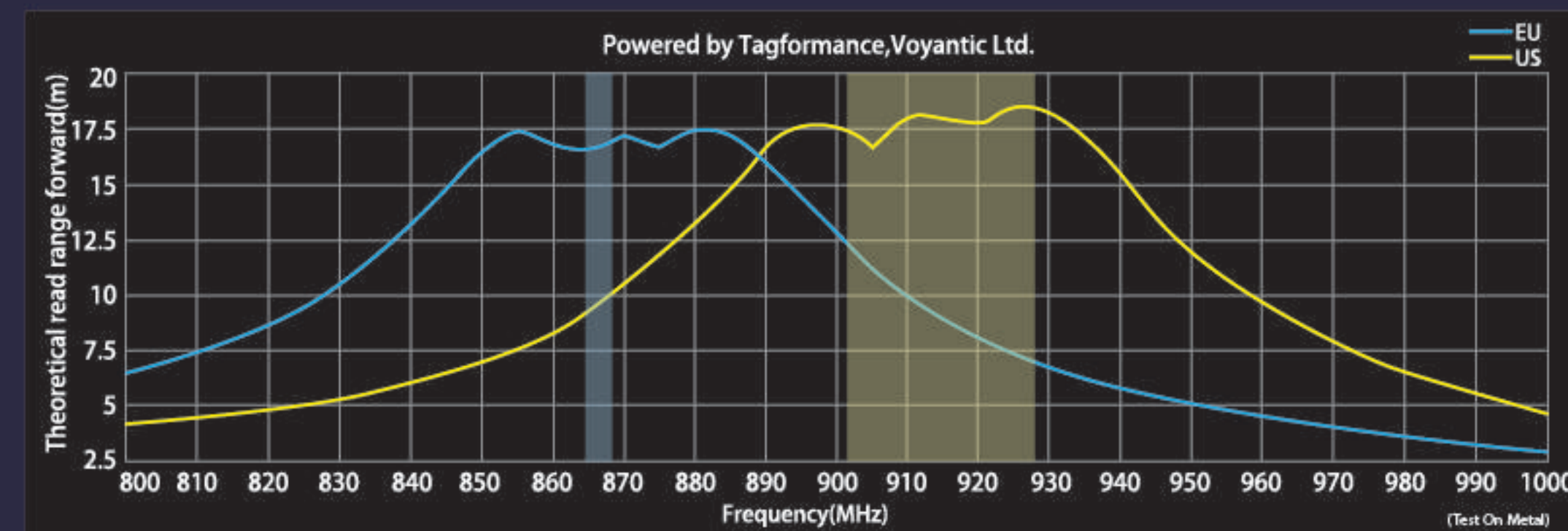
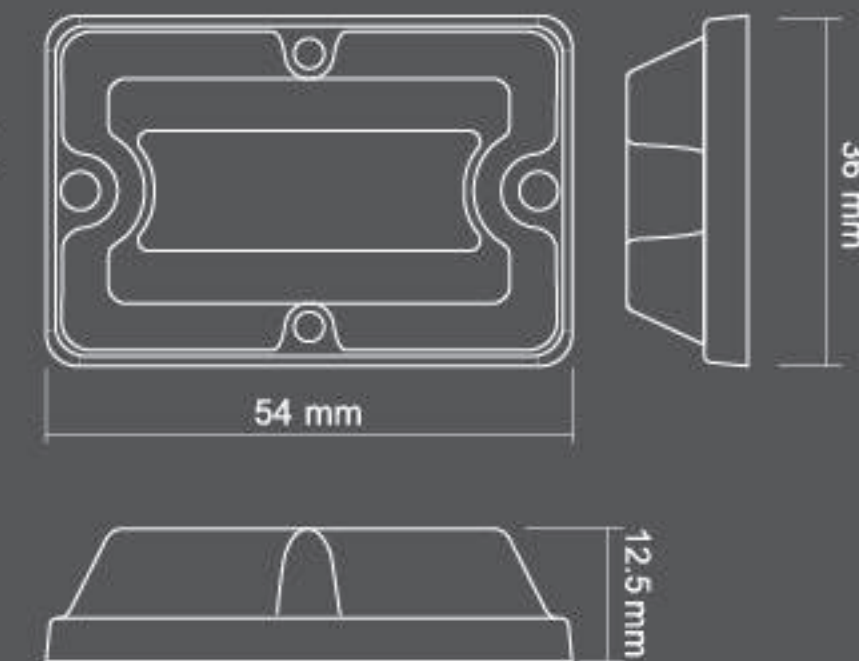


PHYSICAL SPECIFICATION

- Dimensions : L 54 x W 36 x T 13 mm
- Operation Temperature : -40 to 85°C
- Storage Temperature : -55 to 150°C
- Peak Temperature : 200°C / 72 hours
- Attachment : Adhesive/M3 Type Screw
- IP Rating: IP68
- Color : Black
- Material : PPS

RF SPECIFICATION

- RFID Chip : NXP Ucode 8
- Memory : EPC 128 bit/TID 96 bit
- RF Interface Protocol: EPC Class1 Gen2 V2/ISO 18000-6C
- Operating Frequency : 860-960(Global)
- Applicable Surface : On-metal
- Read Range(2W ERP/On metal) : Up to 17M





▶ FEATURES

- Global band
- Robust housing
- Superior reading performance

▶ APPLICATIONS

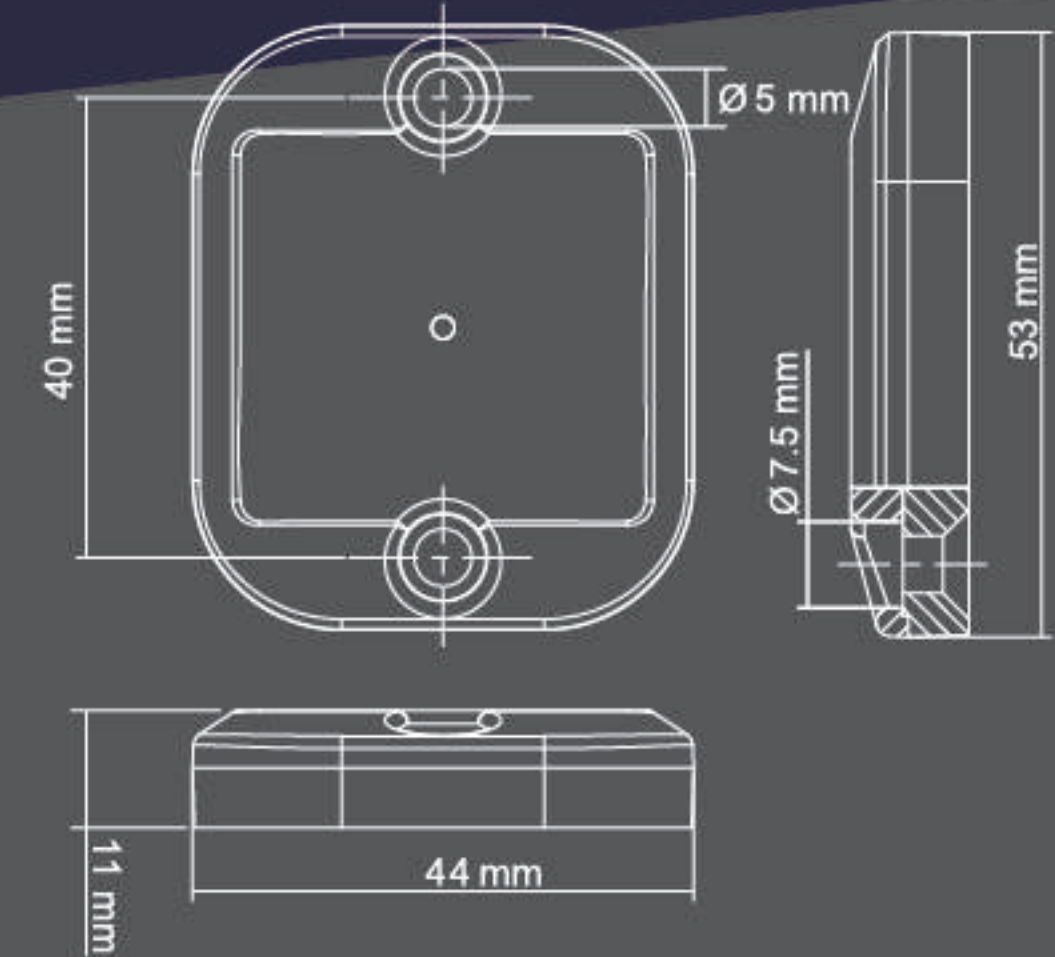
- Logistics
- RTI management
- Supply chain management

▶ PHYSICAL SPECIFICATION

Dimensions : L 53 x W 44 x T 11 mm
 Operation Temperature : -40 to 85°C
 Storage Temperature : -40 to 120°C
 Attachment : Adhesive/M5 Type Screw
 IP Rating: IP68
 Color : Black / Grey
 Material : Nylon

▶ RF SPECIFICATION

RFID Chip : NXP Ucode 8/Monza 4E(optional)
 Memory : EPC 128 bit/TID 96 bit
 RF Interface Protocol: EPC Class1 Gen2 V2
 ISO 18000-6C
 Operating Frequency : 865~928(Global)
 Applicable Surface : On-metal
 Read Range(2W ERP/On metal) : Up to 14M

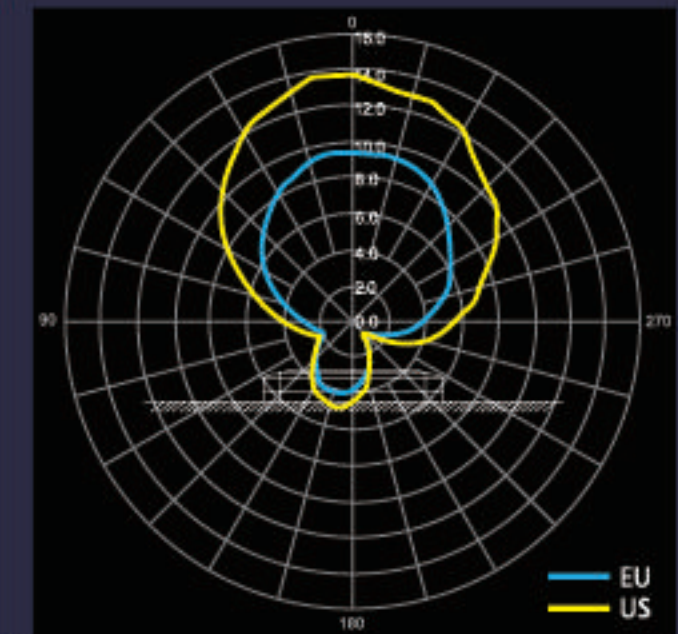
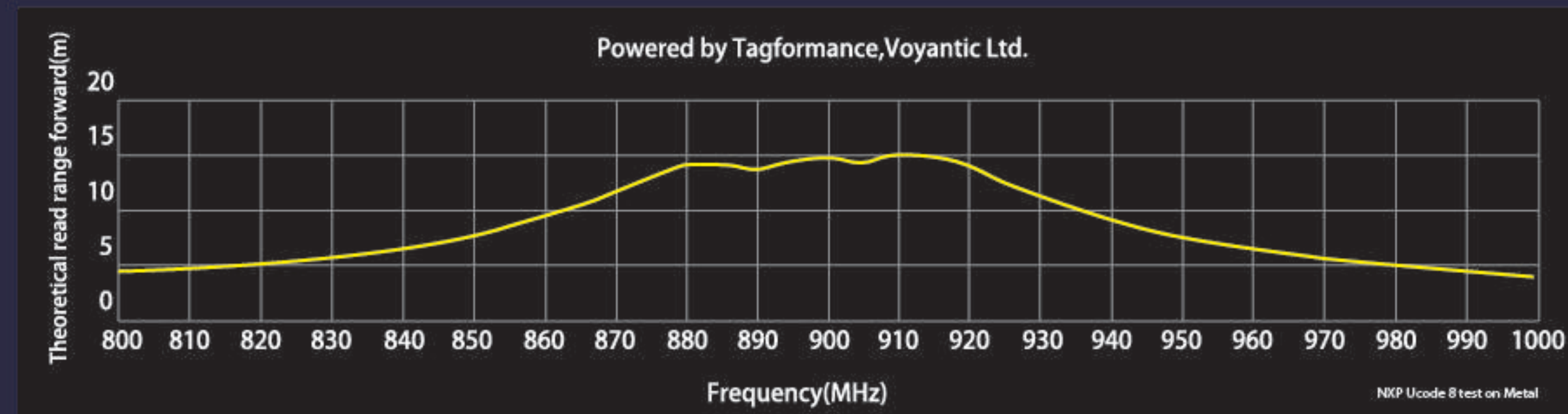


OVERMOLDED SQUARE METAL TAG

Characterized in Broadband Frequency to Open Up Global Interoperability

This tag features its broadband with robust housing for on-metal applications such as returnable containers and reusable logistics assets. Though under harsh environmental challenges, it carries out superior reading performance.

Global Band





▶ FEATURES

- Long Reading Performance on Human Body
- One-size-fit-all Velcro Band
- Hands-free for Quick Access

▶ APPLICATIONS

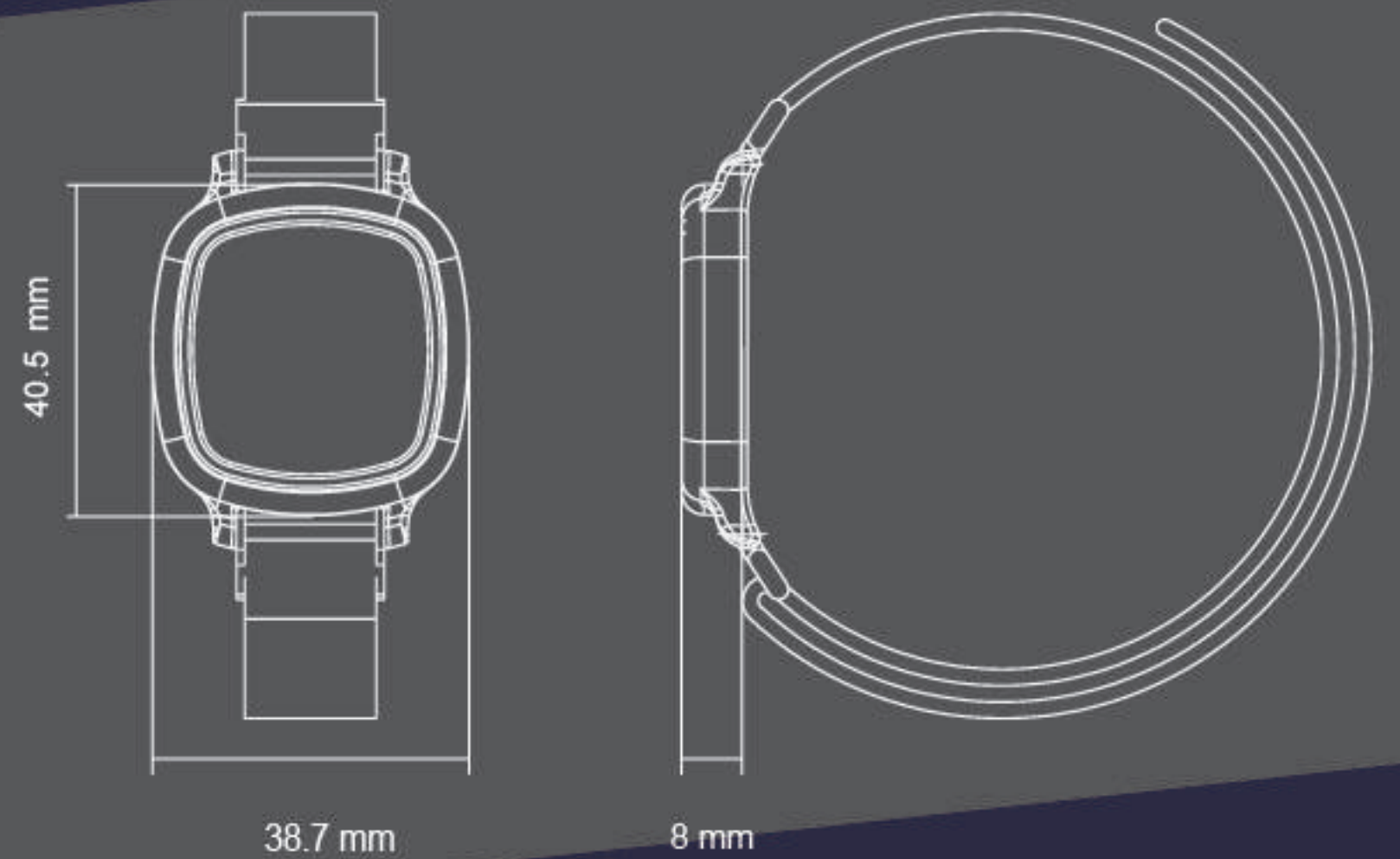
- Access Control
- Patient Care
- Staff Management

▶ PHYSICAL SPECIFICATION

Dimensions : L 40.5 x W 38.7 x T 8 mm
Operation Temperature : -10 to 50°C
Storage Temperature : -20 to 70°C
IP Rating: IP67
Color : Black
Material : ABS

▶ RF SPECIFICATION

RFID Chip : NXP UCODE 8
Memory : EPC 128 bit / TID 96 bit
RF Interface Protocol: EPC Class1 Gen2 V2 / ISO 18000-6C
Operating Frequency : 902-928 MHz (FCC-US)
865-868 MHz (ETSI-EU)
Applicable Surface : Non-metal
Read Range(2W ERP/On the Wrist) : Up to 3M

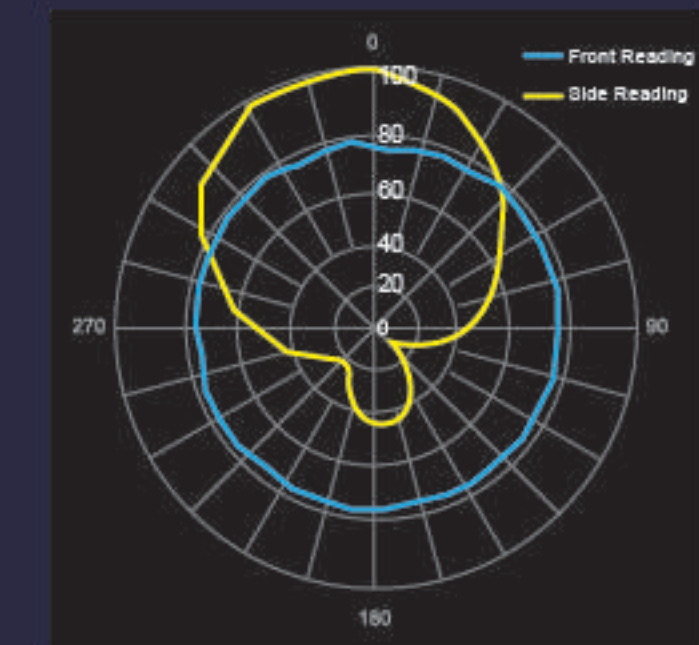
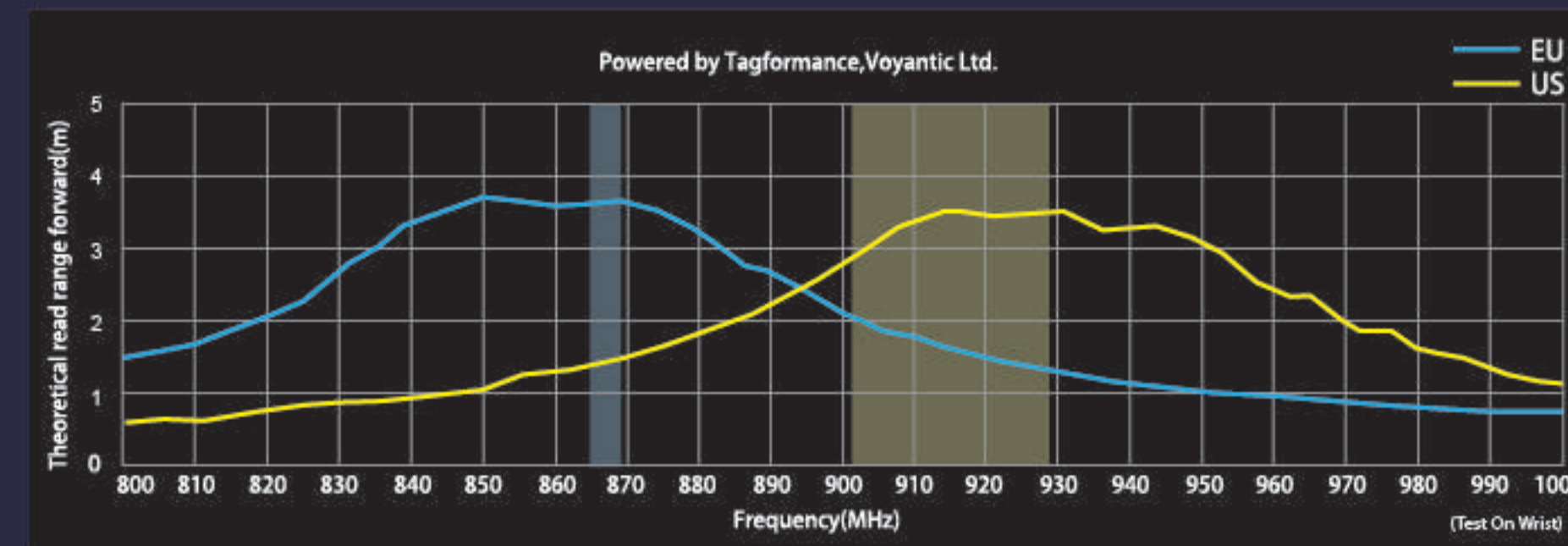


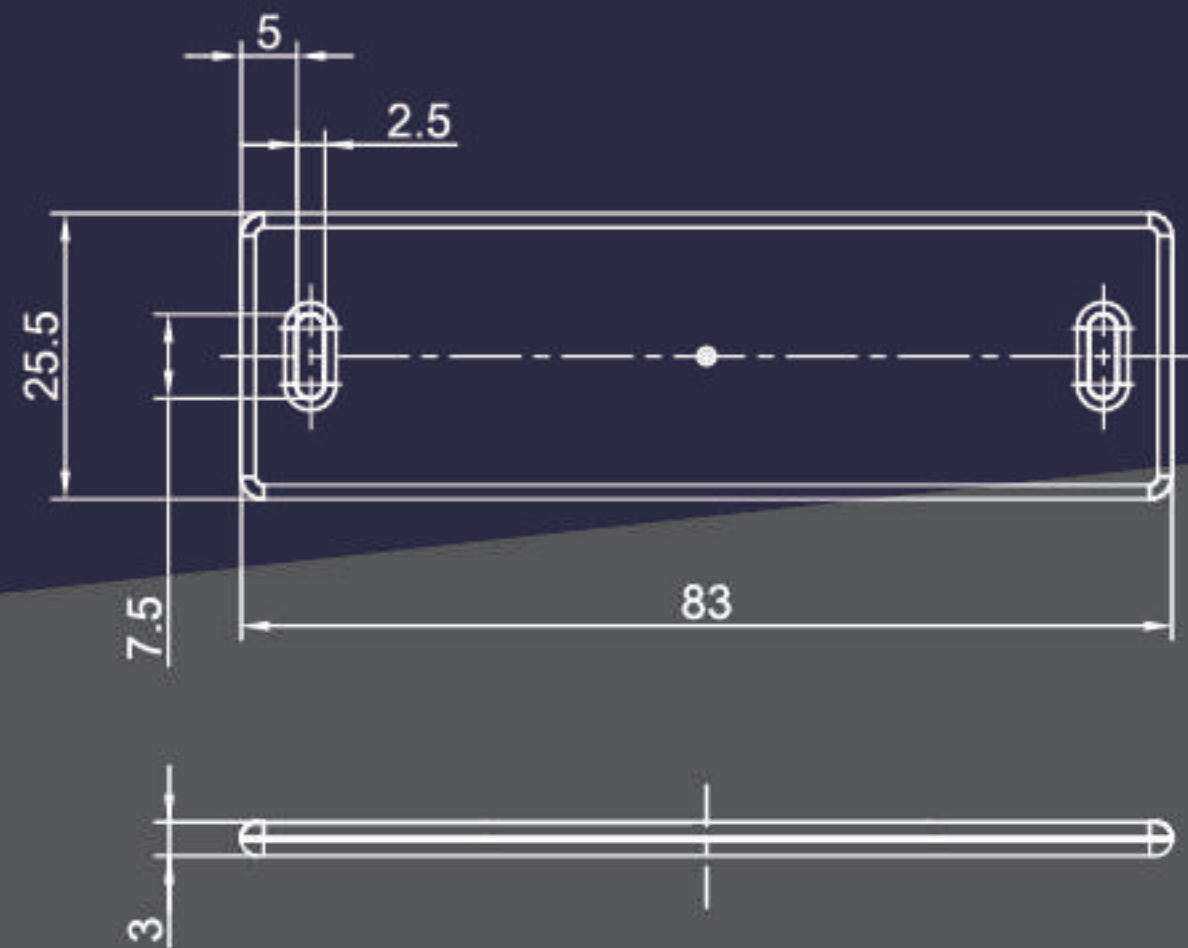
ADJUSTABLE WRISTBAND

Realize Hands-free Access Control

RFID wristband is a smart wearable to realize easy and convenient access control application. Human body is composed of water which causes interference to the wristband's reading performance when people wear it. We revolutionary UHF wristband to realize hands-free access control with its remarkable long reading performance powered by NXP UCODE 8 chip on a specialized antenna. Hands-free solution helps you get access into a place without the need to reach your keyfob or card to the reader when you don't have a spare hand. It brings convenience and comfort for your access control application.

Hands-free
Solution





TPV FLEXIBLE TAG

Flexible Tag for Multiple Tasks

UHF TPV Flexible Tag, made of thermoplastic elastomer (TPV), is ideal to fit a curved surface on a non-metal item. This tag can also go to metal items by fixing the yellow tag with Panduit cable tie to one hole. It ideally acts as an inspection tag when placed on equipments or machines.

▶ FEATURES

- Flexible housing, suitable for irregular surfaces
- Good laser engraving of logo or barcode
- Tamper-evident cable tie

▶ APPLICATIONS

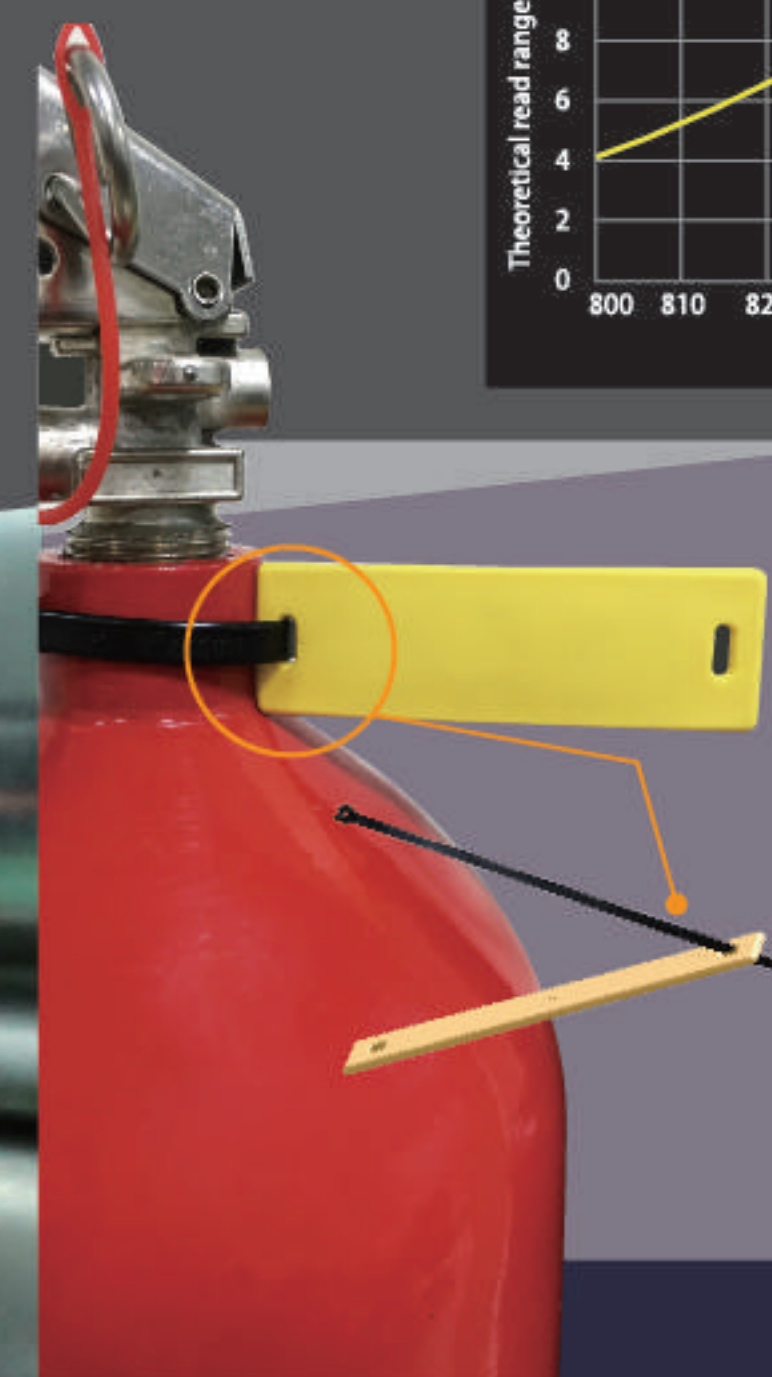
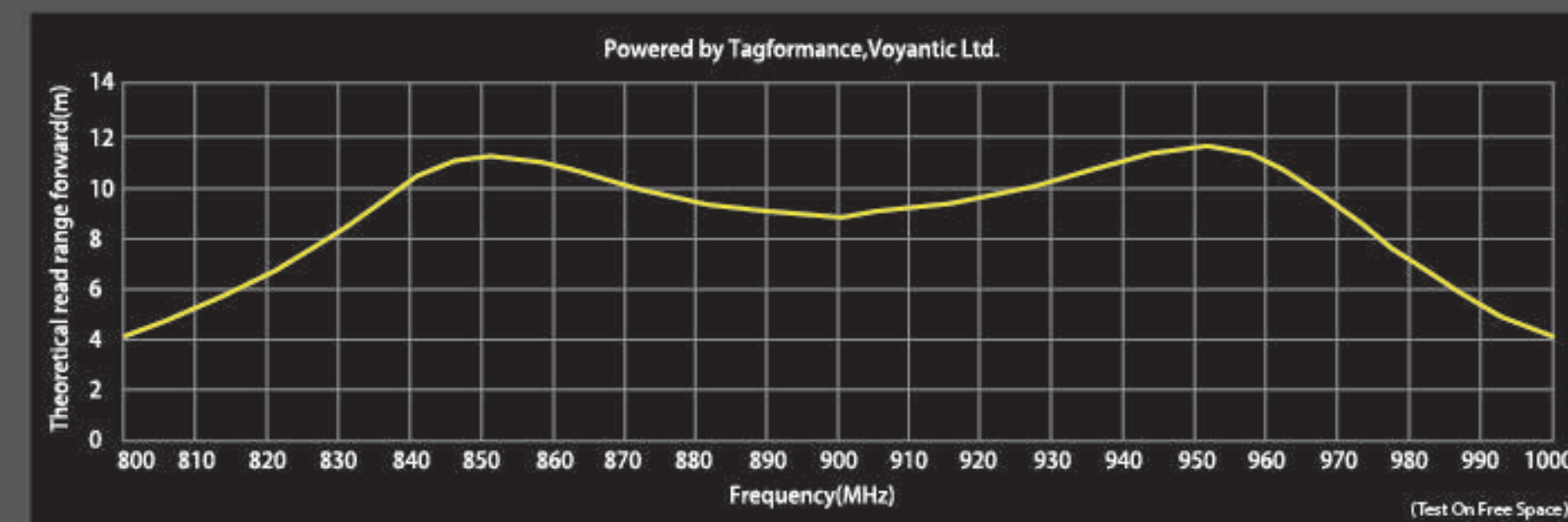
- Asset Management
- RTI (Returnable Transport Item)

▶ PHYSICAL SPECIFICATION

- Dimensions : L 25.5 x W 83 x T 3 mm
- Operation Temperature : -40 to 70°C
- Storage Temperature : -40 to 70°C
- IP Rating: IP68
- Color : Yellow
- Material : TPV
- Attachment : Panduit cable tie

▶ RF SPECIFICATION

- RFID Chip : Impinj Monza 4QT
- Memory : EPC 128 bit/TID 96 bit
- RF Interface Protocol: EPC Class1 Gen2 V2 / ISO 18000-63
- Operating Frequency : 865~928(Global)
- Applicable Surface : Non-metal
- Read Range(2W ERP/On metal) : Up to 9M



CABLE TIE TAG SPECIFICATION

- Material : Nylon
- Color : Black
- Operation Temperature : -60 to 85
- Flammability Rating : UL 94V-2
- Minimum Loop Tensile Strength : 534/120(N/lb)
- Length : 378 mm



► **FEATURES**

- Shared memory
- Dual frequency in one chip
- High security with web authentication

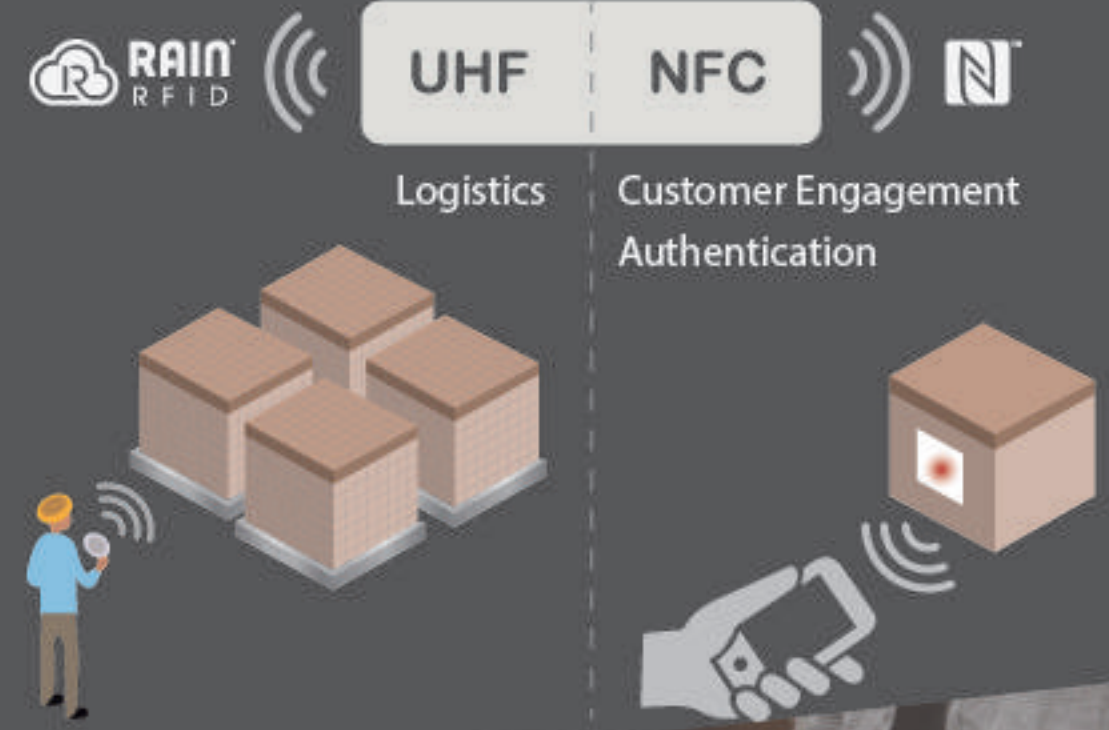
► **APPLICATIONS**

- Logistics
- Customer Engagement
- Inventory and Supply Chain Management

DUAL FREQUENCY SMART LABEL

Hands-free Parking Experience

This special label can operate on both NFC and RAIN RFID (UHF) technologies. Powered by emlecho-V chip (EM4425), it provides an application crossover and opens the possibility to apply just one label to fit all use cases in two domains.

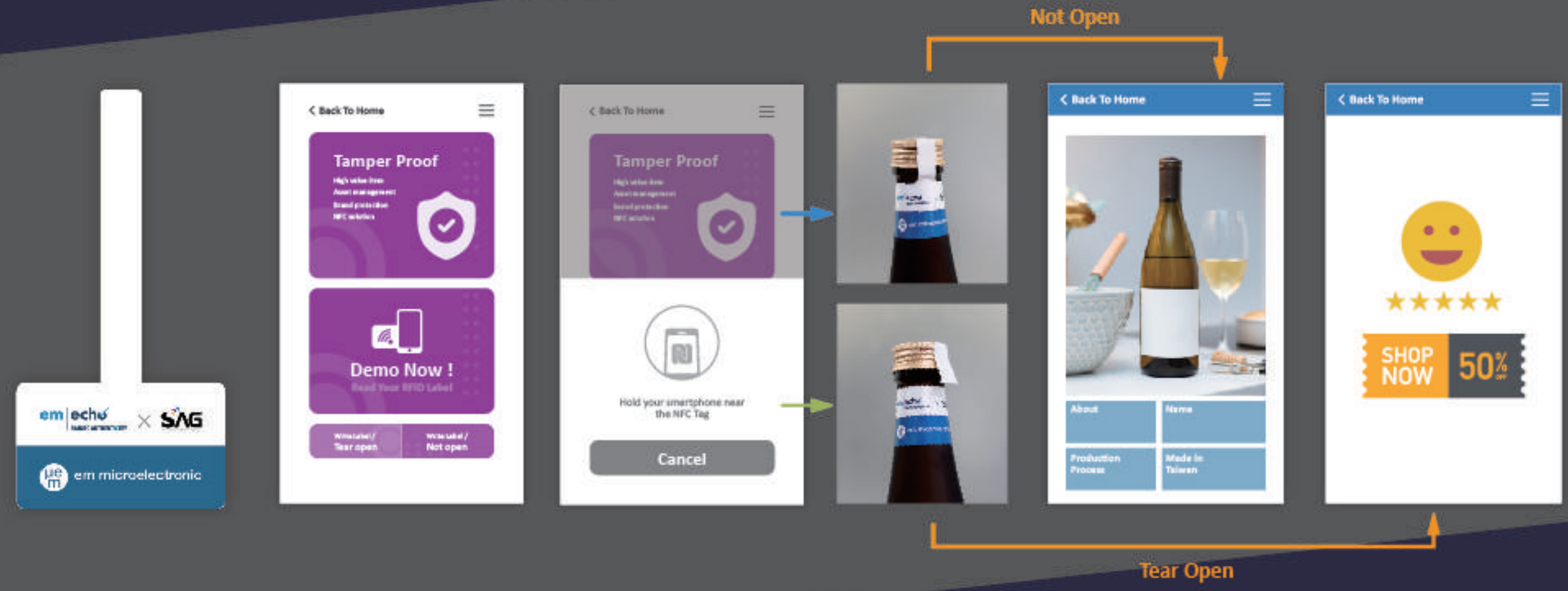


► **RF SPECIFICATION**

- RFID Chip : EM 4425
- Memory : (HF) UID 64 bit/(UHF) TID 96 bit
- HF/UHF Shared Memory 2048 bit
- RF Interface Protocol: HF: ISO 15693 / ISO 18000-3 M1 / NFC Forum Type5
- UHF: ISO 18000-63 / EPCTM Gen2v2
- Operating Frequency : 860-930 MHz (Global)
- Applicable Surface : Non-metal
- Read Range(2W ERP) : Up to 8 M

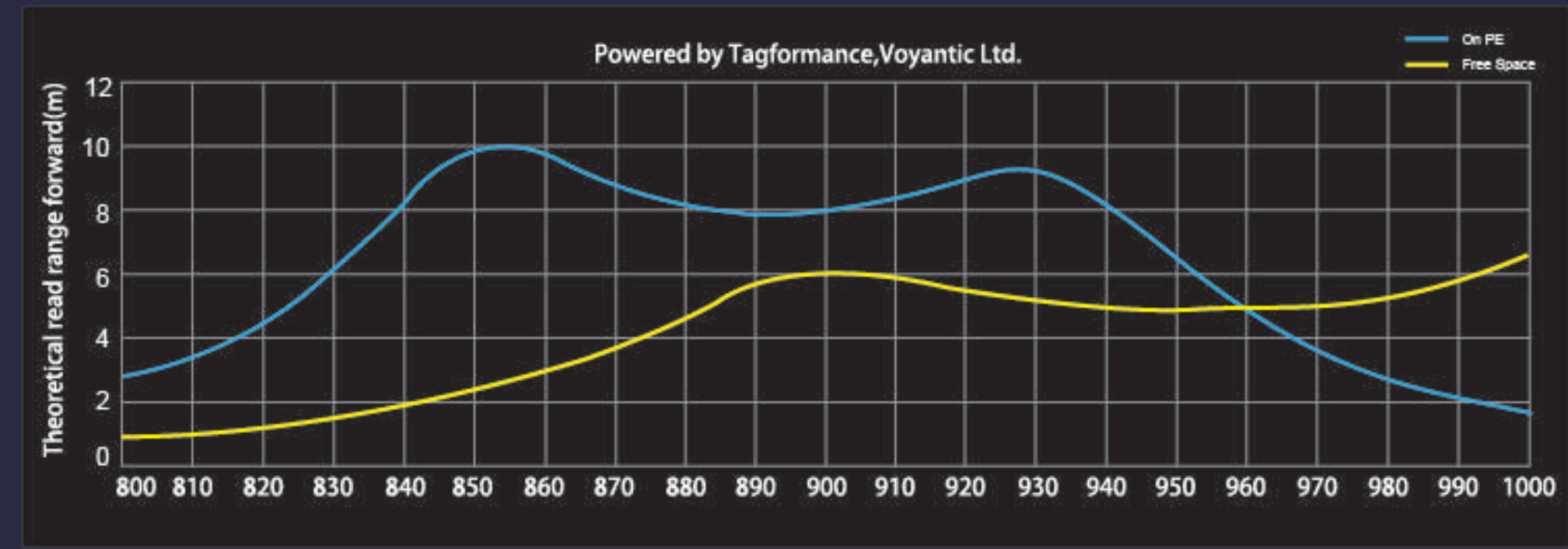
Tamper Proof Function

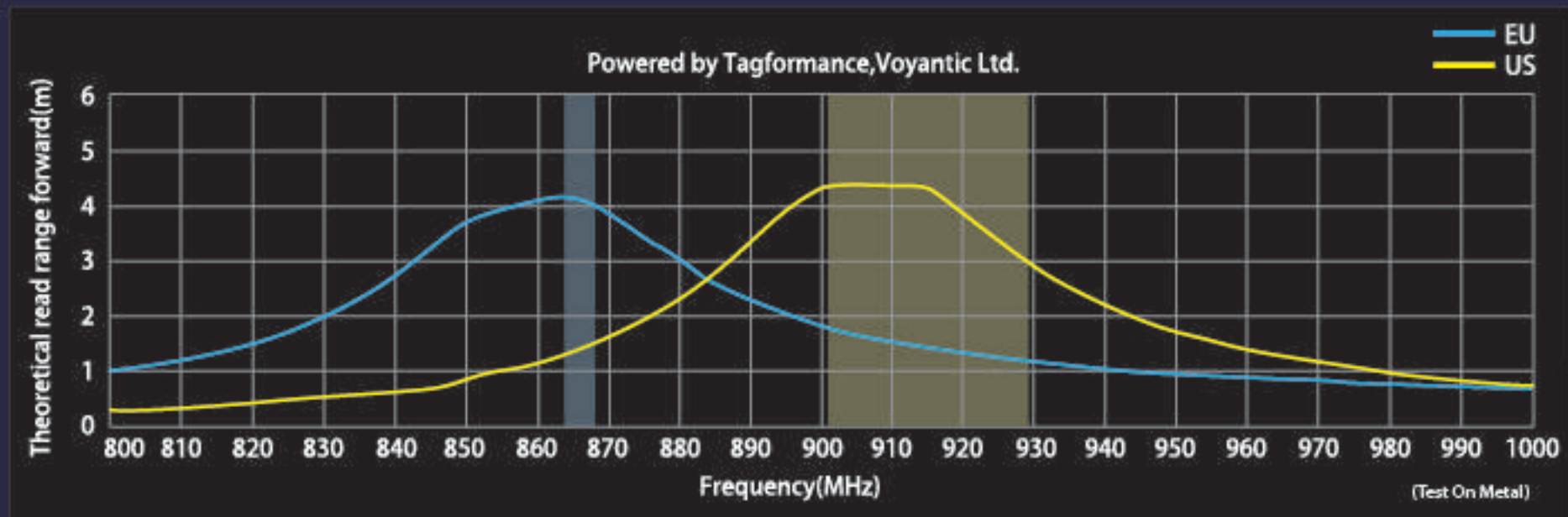
NFC Label enables Branding with tamper proof and other value-added features for you to discover. It brings protection to both your brand image and customer safety.



► **PHYSICAL SPECIFICATION**

- Dimensions : L30 x W50 mm
- (Tamper proof): L100 x W50 mm
- Operation Temperature : -25 to 70°C
- Storage Temperature : -25 to 70°C
- Material : PET

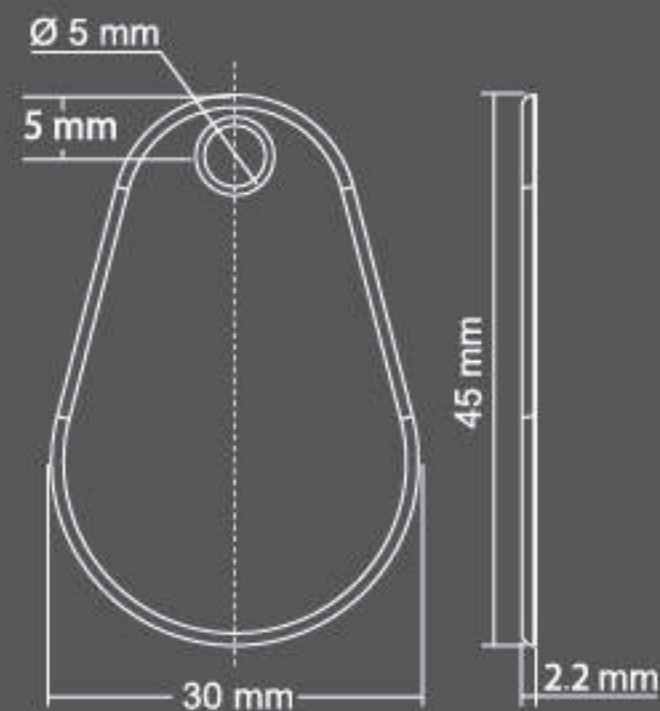




OVERMOLDED PEAR KEYFOB

Long Reading Distance for Hands-free Access Control

With up to 4 meter reading distance, this keyfob helps the user get access without having to reach out a keyfob to tap and go. It realizes the hands-free solution and offers great efficiency.

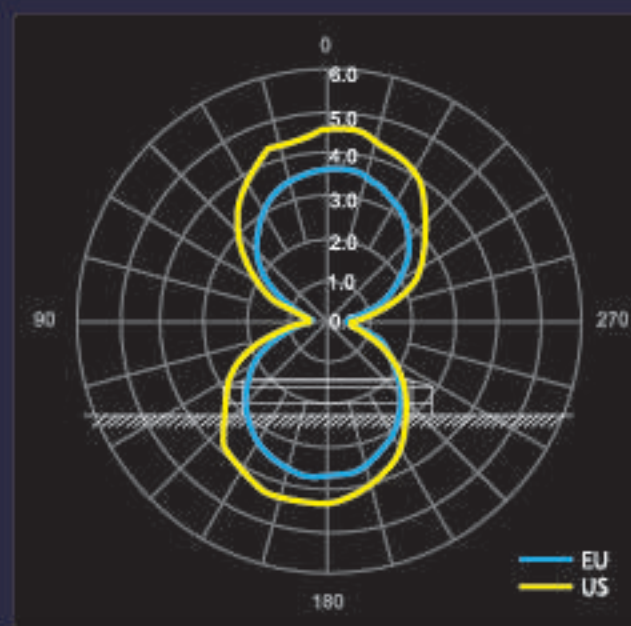


PHYSICAL SPECIFICATION

Dimensions : L 45 x W 30 x T 2.2 mm
 Operation Temperature : -25 to 85°C
 Storage Temperature : -25 to 125°C
 IP Rating: IP68
 Color : White
 Material : Nylon

RF SPECIFICATION

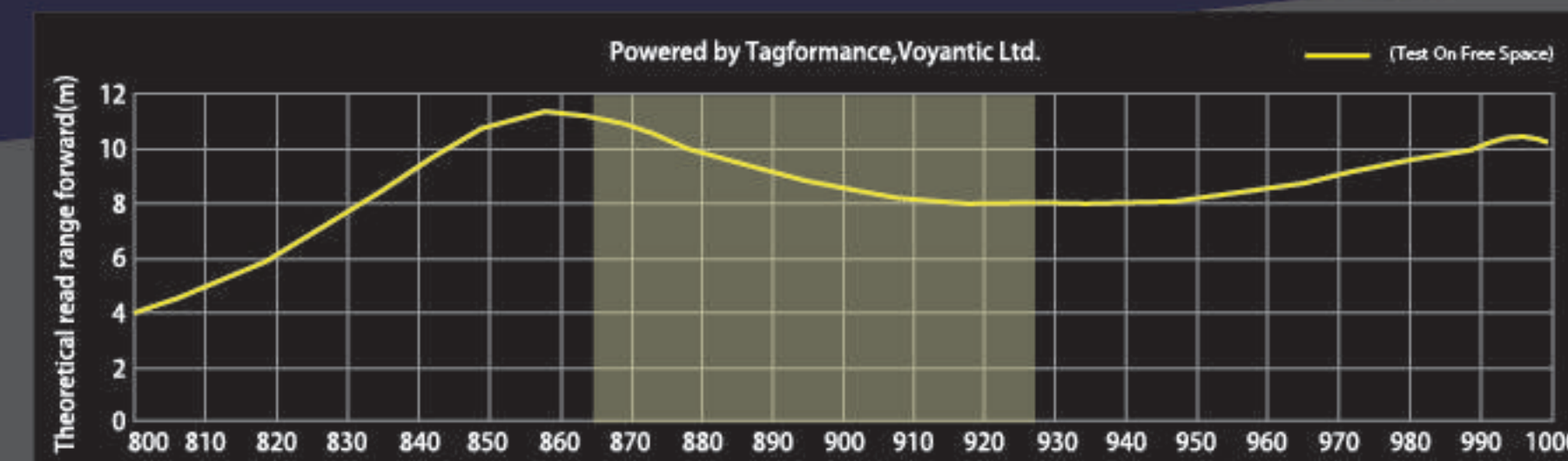
RFID Chip : Impinj Monza R6-P
 Memory : TID 96 bit
 RF Interface Protocol: EPC Class1 Gen2 V2 / ISO 18000-63
 Operating Frequency : 902-928 MHz (FCC-US)
 865-868 MHz (ETSI-EU)
 Applicable Surface : Non-metal
 Read Range(2W ERP/On metal) : Up to 4.5M



ISO CARD

A cost-effective RFID Transponder Solution for Multiple Applications

UHF ISO Card, powered by Impinj Monza 4True Technology, can be used for hands-free access or parking lot application thanks to its excellent reading performance. For personal ID, this chip also provides enhanced protection to the data stored in the card. It gives confidentiality to user privacy.



PHYSICAL SPECIFICATION

Dimensions : L 85.6 x W 54 x T 0.8 mm
 Operation Temperature : -25 to 50°C
 Storage Temperature : -25 to 50°C
 IP Rating: IP68
 Color : White
 Material : PVC

RF SPECIFICATION

RFID Chip : Impinj Monza 4QT
 Memory : TID 96 bit Serialized
 RF Interface Protocol: EPC Class1 Gen2 V2 / ISO 18000-6C
 Operating Frequency : 865-928(Global)
 Applicable Surface : Non-metal
 Read Range(2W ERP) : Up to 8 M

WINDSHIELD LABEL



Hands-free Parking Experience

Equipped with NXP UCode 8, Windshield Label (sTag) provides superior reading performance when attached to the windshield. The chip area is also coated to fight against UV rays when the label is exposed directly to the sunlight.

FEATURES

- Colorful artwork printing options available
- UV-resistant coating to the chip

APPLICATIONS

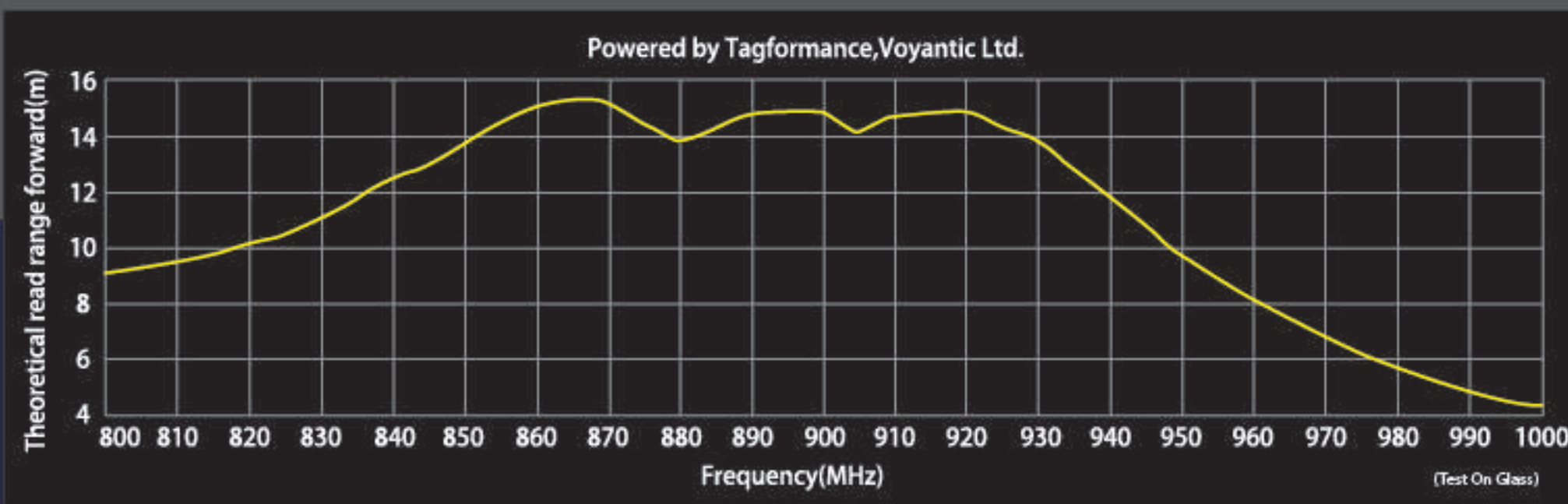
- Access Control
- AFC (Auto Fare Collection)

PHYSICAL SPECIFICATION

Dimensions : L 101.6 x W 25.4 mm
 Operation Temperature : -25 to 70°C
 Storage Temperature : -25 to 70°C
 Material : PET

RF SPECIFICATION

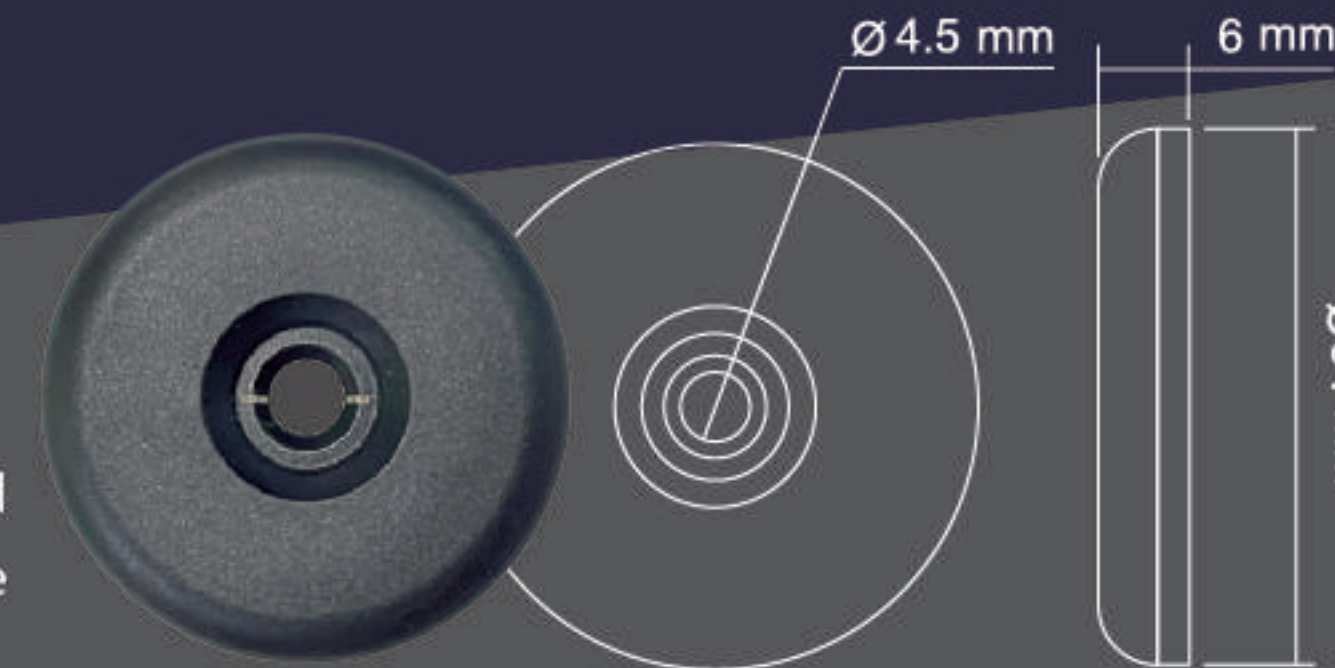
RFID Chip : NXP Ucode 8
 Memory : 128 bits
 RF Interface Protocol: EPC Class1 Gen2 V2
 ISO 18000-6C
 Operating Frequency : 860-930 MHz (Global)
 Applicable Surface : Non-metal
 Read Range(2W ERP) : Up to 14 M



ON-METAL STICK TAG

Heavy-duty Tag to Withstand Harsh Conditions

On-Metal Stick Tag is built with industrial-grade plastic to withstand harsh conditions. The tag can be mounted on items with metal surface by using adhesive or screw in the 4.5mm central hole.



FEATURES

- LF, HF or UHF frequency available
- Non-Metal or On-Metal surface applicable
- Good ID numbering or logo marking by laser

APPLICATIONS

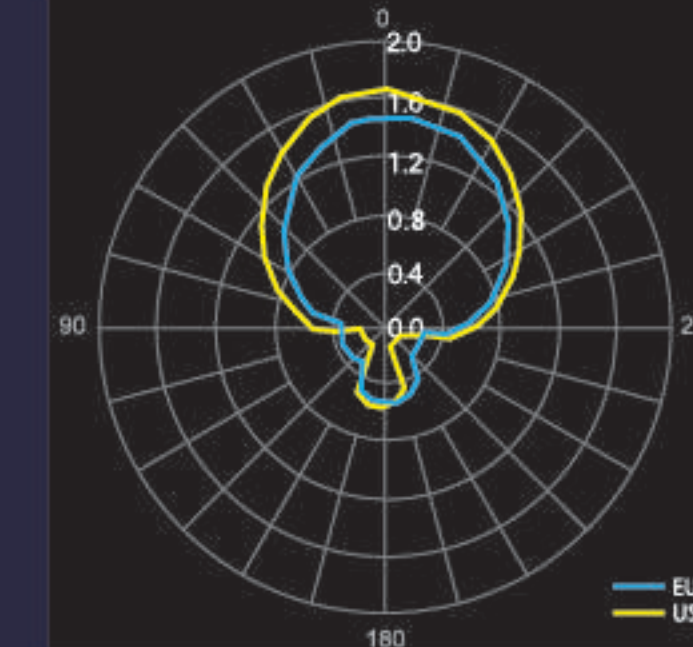
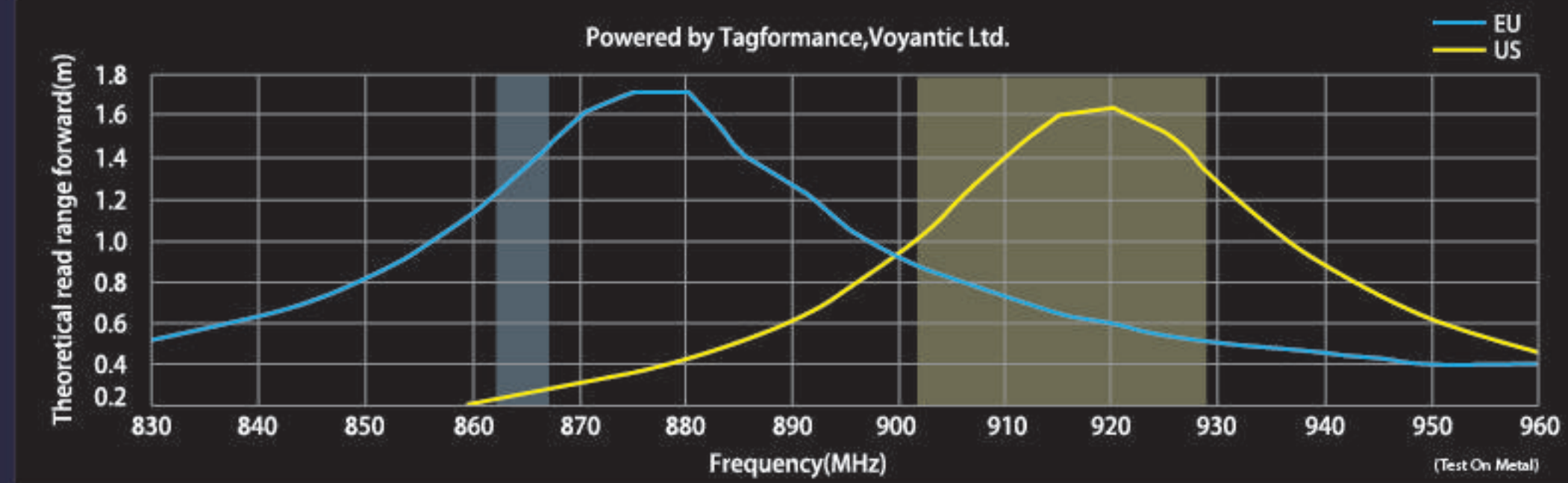
- Logistics Management
- Asset Management
- Item Tracking

PHYSICAL SPECIFICATION

Dimensions : OD 34 x T 6 (ID 4.5) mm
 Operation Temperature : -40 to 85°C
 Storage Temperature : -40 to 100°C
 Attachment : Screw(M4 Type)/Adhesive
 IP Rating: IP68
 Color : Black
 Material : Nylon

RF SPECIFICATION

RFID Chip : Inpinj Monza 4QT
 Memory : EPC 128 bit/TID 96 bit
 RF Interface Protocol: EPC Class1 Gen2 V2
 ISO 18000-63
 Operating Frequency : 902-928 MHz (FCC-US)
 865-868 MHz (ETSI-EU)
 Applicable Surface : On-metal
 Read Range(2W ERP/On metal) : Up to 1.2M





*The exact size is mainly based on metric unit. *Reading distance shown in the figure is measured by Voyantic Tagformance.

*Actual reading performance is subject to the environment in practice.

*Securitag Assembly Group (SAG) reserves the rights to change product specifications without prior notice.

